

Conventional Line Interface M512ME

Description:

The M512ME conventional zone monitor module provides an interface between a zone of conventional 2-wire fire detectors and an intelligent signaling loop. The module monitors the conventional zone and transmits the state of the zone (NORMAL, OPEN/SHORT or ALARM) to the panel.

The power for the conventional zone is provided either by an external power supply, or directly from the communication line. Use of the M512ME without an external power supply also results in more current being drawn from the communication loop.

When the power for the conventional zone is taken from an external power supply, the communication line is fully isolated from the conventional zone and from the power supply. The external power supply must have a battery backup feature if required by local codes of practice.

System Sensor also recommends the use of a power supply with earth fault detection. The M512ME features a power supply fault input T5. When the voltage at this terminal is pulled to ground, a fault signal is indicated at the panel.

The conventional zone current is limited to 60mA. A pair of break-off tabs is provided on the PCB (see Figure 3) to allow the current limit to be reduced. If the tabs on the PCB are broken, the maximum zone current is limited to 20mA. If zener-diode 8V2 is used as alarm element the tabs have to be removed.

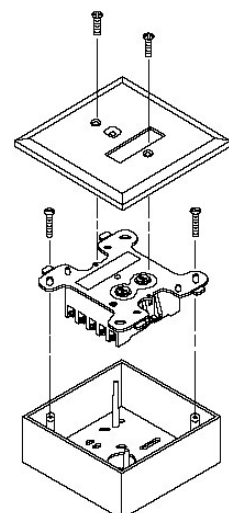
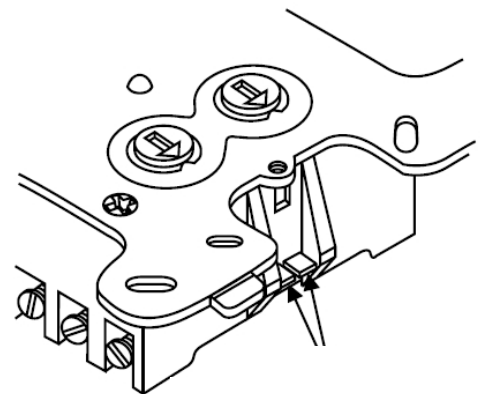
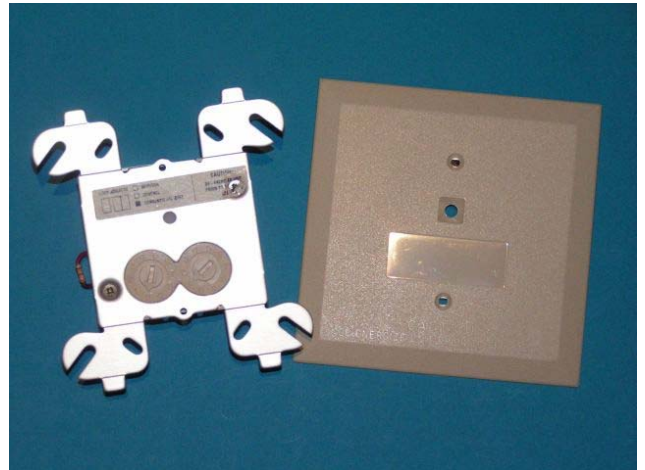
The M512ME is addressed in the range from 101 to 199. Convenient rotary decade switches are used to set the address of each module.

Installation:

By use of the installation adapter the conventional line interface M512ME can be installed on the DIN-rail in the fire alarm panel or separate box. For surface mounting the installation box SMB5000 is available.

Technical Data:

Communication Loop Supply Voltage:	15 – 32V
Communication Loop Standby Current (External PSU):	300µA
Maximum conventional zone voltage:	25,5V
Conventional Zone Current Limit (PC Board Tabs removed):	20mA
Conventional Zone Current Limit (PC Board Tabs not removed):	60mA
External Power Supply Voltage:	18 – 32V
End-of-Line Resistor Value:	3,3k – 4,7k
Maximum Line Impedance, Conventional Zone:	100Ω
Power Supply Fault Input (Active Low):	0,2V max.
Temperature Rating:	-10°C to +60°C
Relative Humidity (no condensation):	10% - 93%
Box dimensions (mm):	121 x 107 x 32
Weight:	140g
Wire diameter for screw terminals:	max. 3mm ²



Conventional Line Interface M512ME

Part-No.:

Conventional line interface M512ME	K02469077
DIN Rail Module Mounting Kit M500DIN1	K02469080
Surface mounting Box SMB500	K02469046

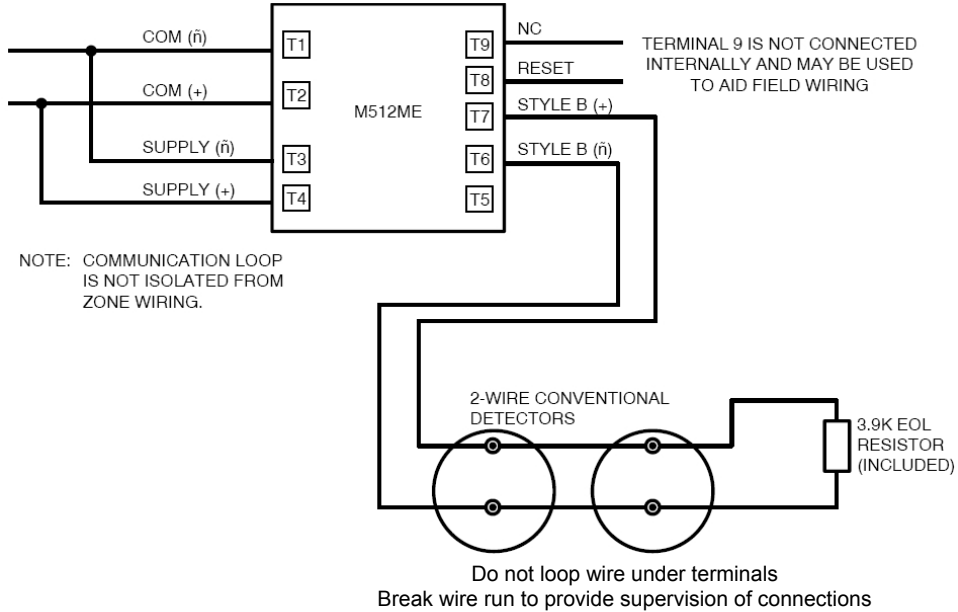
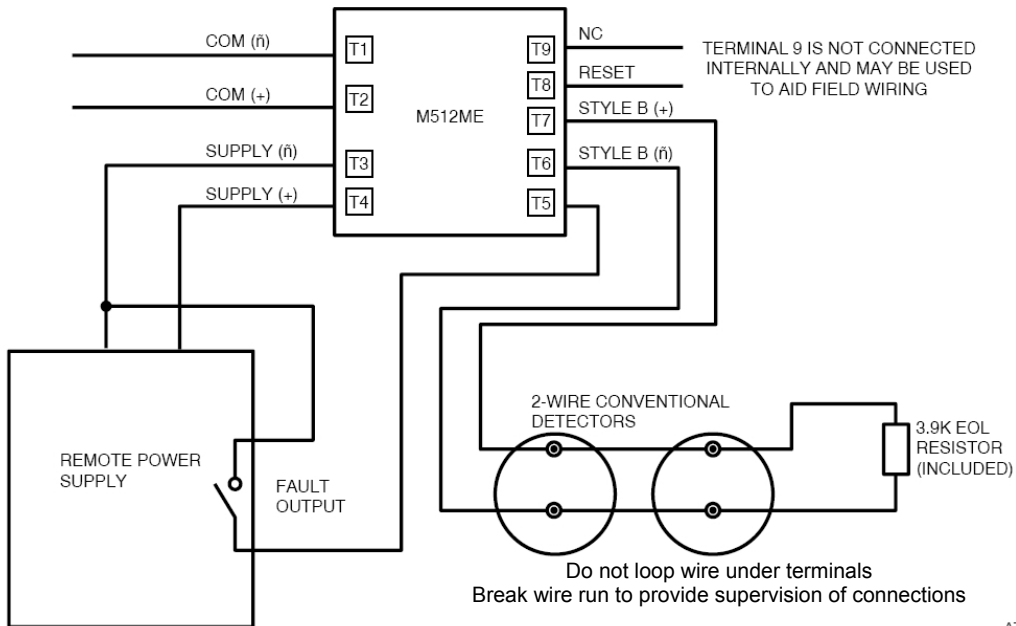


Figure 4: Wiring to zone of 2-wire conventional detectors without external power supply



A7

Figure 5: Wiring to zone of 2-wire conventional detectors, using external power supply