

Gas Controller UNITS CM-10 CM-20

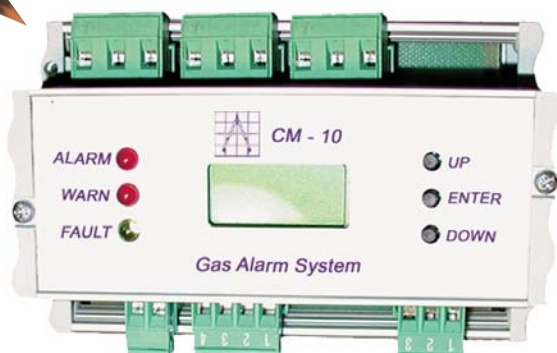
Control units for Toxic, Oxygen or Flammable 4-20 mA Gas Transmitters



CM-20 & CM-10 are dual or single input programmable control units designed to operate with a remotely located 4-20 mA Gas Transmitters.

- Back-light LCD Digital Display
- Push-button programming
- Settable setpoints
- Fail output
- Programmable 4-20 mA Output (CM-10)
- Front panel LEDS Alarms indicators
- Audible alarm indicator

Ideal for applications requiring simple and cost-effective systems



Applications



Food & Brewing



Greenhouses

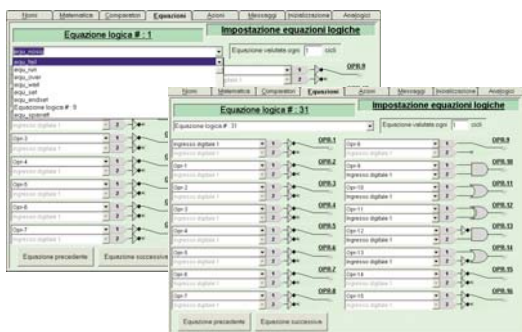


Processing



Building system automation and any situation where leaks of toxic or flammable gases are potentially possible.

CM-Configurator Software



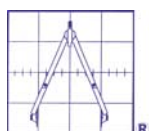
Graphical High level easy to use software configurator with extensive libraries of ready-to-go configurations available.

Customized Messages capability.

Free download configurations for combustible gases, vapours, toxic gases or Oxygen concentration measurement.

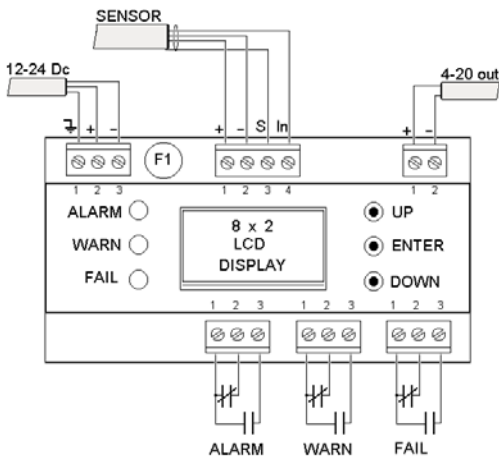


Copyright Oggioni s.a.s.

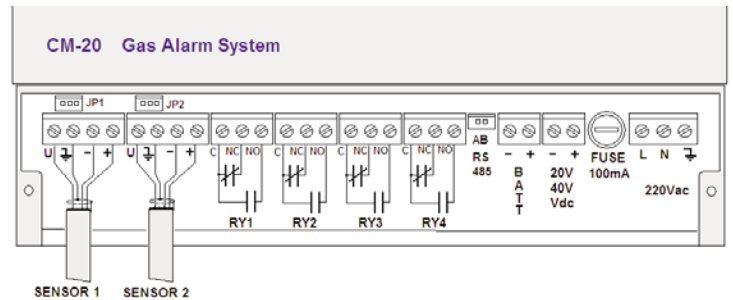


OGGIONI s.a.s. Via Lavoratori Autobianchi, 1 - P.T.B. Edif.13/O - 20832 Desio (MB) Italy
Tel.+39 0362 995062 Fax.+39 0362 622531 e-mail: info@oggoni.com www.oggoni.com

CM-10



CM-20



General Specification

Display: LCD 2x8 characters
 Relay: N°3, (SPDT)
 Buzzer: 5 dB at one mt.
 Factory Set Range: % v/v, ppm, % L.E.L.
 Single Input: 4-20 mA

Display: LCD 2x20 characters
 Relay: N°4, (SPDT)
 Buzzer: 50 dB at one mt.
 Factory Set Range: % v/v, ppm, % L.E.L.
 Two analogue Inputs: 4-20 mA

Electrical Specification

Power Supply: 15 Vac ; 12-24 Vdc
 Power consumption: 1 watt
 Supply fuse: 1A
 Analog Input: 4-20 mA, Rload = 100 Ohm
 Analog Output: 4-20 mA

Power Supply: 20-40 Vdc or 220 Vac
 (110 Vac optional)
 Power consumption: 2 watts
 Supply fuse: 1A
 Analog Input: 4-20 mA, Rload = 100 Ohm
 Serial Communication: RS-485 RTU Modbus

Environmental Specification

EMC: According to EN61000-4
 Storage temperature: -40 to 85 °C
 Operating temperature: -20 to 70 °C
 Humidity range: 90% R.H. n.c.
 Degree of protection: IP30

EMC: According to EN61000-4
 Storage temperature: -40 to 85 °C
 Operating temperature: -20 to 70 °C
 Humidity range: 90% R.H. n.c.
 Degree of protection: IP65

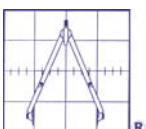
Mechanical Specification

Overall dimensions: 115x75x60 mm
 Weight: 300 g.
 Mounting: Rail DIN 41612
 Termination: Terminal block

Overall dimensions: 240x190x120 mm
 Weight: 1600 g.
 Mounting: wall
 Termination: Terminal block

Copyright Oggioni s.a.s.

OGGIONI s.a.s. reserves the right to change published specifications and designs without prior notice.



OGGIONI s.a.s. Via Laboratori Autobianchi, 1 - P.T.B. Edif.13/O - 20832 Desio (MB) Italy
 Tel.+39 0362 995062 Fax.+39 0362 622531 e-mail: info@oggionisas.com www.oggionisas.com